



## Pressalit Care Okapi Folding Daycare Changing Table Specifications

### Adjustable height, wall-mounted changing table.

Raise to an ergonomic working height.  
Ideal for daycare.

#### Features:

Folds to save space.

Completely accessible for cleaning and disinfecting.  
Factory-installed safety rail included.

#### Dimensions:

Available table lengths:

Small: 35.5" SKU/Model: R8921000/RB1922

Child: 55" SKU/Model: R8922000/RB1922

Width: 31.5"

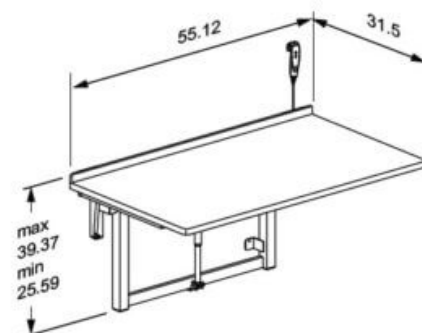
Height adjusts from 25.5" to 39"

#### Construction:

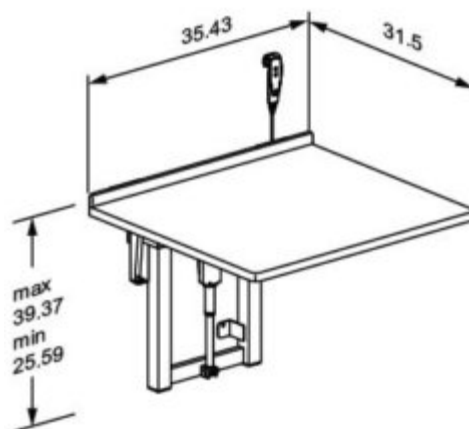
Lifting unit: Powder-lacquered steel.  
Worktop: ABS with acrylic.

#### Installation:

Retrofit friendly.



Pressalit Okapi Child Size Dimensions



Pressalit Okapi Small Size Dimensions

Anchors to wood blocking, masonry or concrete.

Mounting hardware included.

**Electrical:**

Integrated transformer and US 8' power cord included.

Linak liquid tight actuator and control system.

Maintenance free motor.

24v/1amp via 120 GFI wall outlet

110 Volt and 3,9 Amp gives 390 Watts

Effect( P ) = Volt (U) x Ampere (I)

390 VA (Watt) = 110 V X 3,9 A

390 Watt which is the maximum effect; power consumption is approximately 0 when not in use.

Noise level: 48 decibels

UL approved electrics

**Safety Rail:**

Folds up or down.

Fits small, child sized tables.

Easy operation.

Locks securely in both positions.

May be added to existing installations. (Contact our Sales Office to purchase separately.)

**Optional**

Thick, soft foam for user comfort.

**Mattress:**

Fits small, child sized tables.

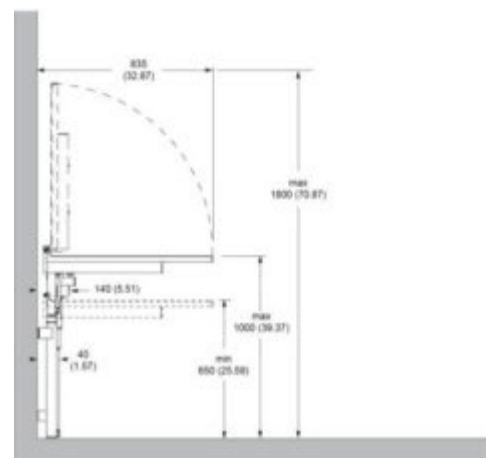
Width: 30" Color: White

Quality polyurethane, phtalate-free.

Can be disinfected with antiseptic wipes.

(Contact our Sales Office to purchase separately.)

SKU: Small: R8701000; Child: R8702000



Dimensions -- side view

**[Installation Drawing](#)**

Use a licensed contractor or plumber to install the product to avoid personal injury or property damage.

**[User Manual](#)**

**Downloadable CAD Drawing:**

**[Okapi Daycare Changing Table](#)**

**[— Small Size](#)**

**[Okapi Daycare Changing Table](#)**

**[— Child Size](#)**

Submittal Info  
Spec Sheet  
(pdf)

**Weight** 165 lbs

**Capacity:**

**Product Weight:** 77 lbs (Small: 35.5" SKU/Model: R8921000/RB1922)

93 lbs (Child: 55" SKU/Model: R8922000/RB1922)

**Availability:** Sold throughout the United States.

**Delivery:** Contact our Sales Office for up-to-date information.

**Discount:** Product price and shipping discount when purchasing multiple units. Call for details.  
800.577.1555

**Warranty:** Five years limited warranty on parts; one year on labor.

[See our complete warranty and other policies here.](#)

Subject to change. Last updated May 2023.

Access Your World

---

**MAX-Ability** offers complete restroom solutions that provide comfort, safety, and dignity to wheelchair users and caregivers, including ergonomic adjustable changing tables, sinks, toilets, and shower seats for total accommodation for everyone. Call us today and access your world!

**1.800.577.1555**



Customer Service

---

[Purchasing & Payment Methods](#)

---

[Delivery / Returns / Warranty](#)

---

[Privacy Policy](#)

---

[Terms and Conditions](#)

## Resources

---

[Product Manuals](#)

---

[Installation Drawings](#)

---

[Internet Resources](#)

---

[Architects Resources \(inc. Specs/CAD\)](#)

## Connect with us

---



All rights reserved. Copyright 2023 © **MAX-Ability, Inc.**

MAX-Ability provides special needs equipment to consumers and businesses in the USA and Canada